

INDIANA
DEPARTMENT OF
TRANSPORTATION

BRIDGE PLANS
FOR SPANS OVER 20 FEET
ON
STATE ROAD NO. 67
PROJECT NO. STP-132-5(10)
S.R. 67 AT: RP 193+18

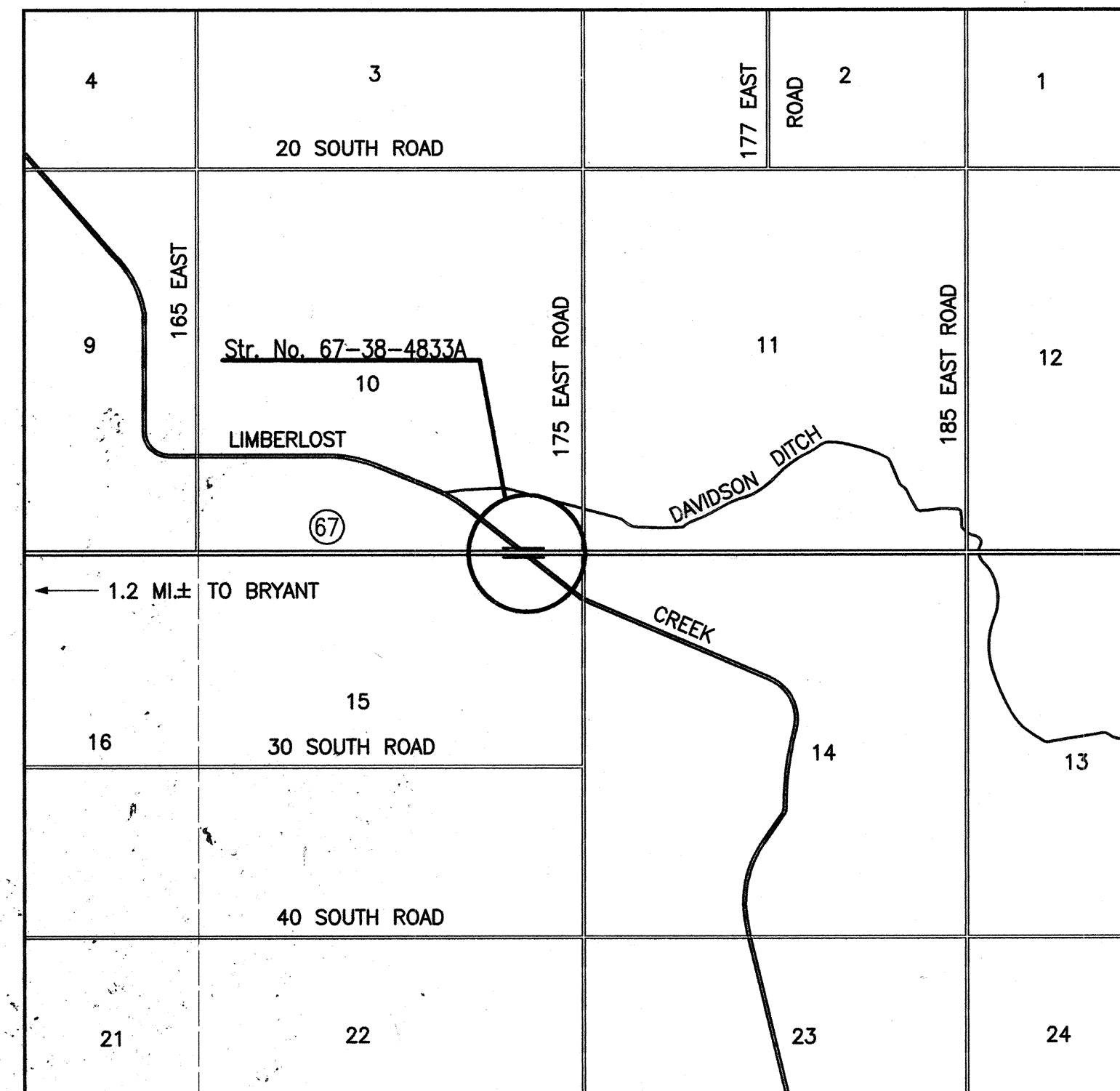
BRIDGE REHABILITATION: STRUCTURE NO. 67-38-4833B, LOCATED ON S.R. 67 OVER LIMBERLOST CREEK, IN SECTIONS 10 & 15, T-24-N, R-14-E, BEAR CREEK TOWNSHIP, JAY COUNTY.

INDEX					
PROJECT	STRUCTURE	TYPE	SPAN	OVER	STATION
STP-132-5(10)	67-38-4833B	CONT. R.C. GIRDER	5 SPANS 24'-0, 47'-0 70'-6, 47'-0, 24'-0 45 SKEW LEFT	LIMBERLOST CREEK	150+70 "H"
SHEET NO.	SHEET DESIGNATION	SUBJECT			F.H.W.A. APPROVAL
1		TITLE AND INDEX			
2	D1	GENERAL PLAN			
3	D2	MISCELLANEOUS DETAILS			

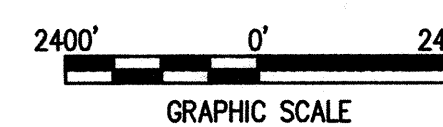
INDEX CONTINUED STANDARD DRAWINGS				
SHEET NO.	SHEET DESIGNATION	SUBJECT	F.H.W.A. APPROVAL	ADOPTED "A" REVISION "R"
	BRIDGE STD. BR-1	CONCRETE BRIDGE RAILING TRANSITION TYPE TGB		
	BRIDGE STD. BR-1A	CONCRETE BRIDGE RAILING TRANSITION TYPE TGB		
	BRIDGE STD. BR-2	CONCRETE BRIDGE RAILING TRANSITION TYPE WGB		
	BRIDGE STD. BR-2A	CONCRETE BRIDGE RAILING TRANSITION TYPE WGB		
4	BRIDGE STD. C-1	REINFORCING BAR NOTES AND BAR BENDING DETAILS	1-26-93	A DEC 1992
	BRIDGE STD. C-2	R.C. ARCH DETAILS		
5	BRIDGE STD. C-3	BS JOINT DETAILS	1-26-95	R 1-3-95
	BRIDGE STD. C-4	PRESTRESSED CONCRETE PILES		
	BRIDGE STD. C-5	PRECAST DECK PANEL DETAILS		
	BRIDGE STD. D	CASTING DETAILS ROADWAY DRAINS		
	BRIDGE STD. D-1	ADJUSTING FRAME DETAILS FOR ROADWAY DRAINS		
	BRIDGE STD. PB-1	PRESTRESSED CONCRETE TYPE I-BEAMS		
	BRIDGE STD. PB-6	PRESTRESSED BOX BEAMS		
	BRIDGE STD. PB-	PRESTRESSED NON-COMPOSITE BOX BEAMS WIDE		
	BRIDGE STD. PB-	PRESTRESSED COMPOSITE BOX BEAMS WIDE		
	BRIDGE STD. PB-10	TOLERANCES FOR FABRICATION OF PRESTRESSED BEAMS		
	BRIDGE STD. PB-11	ELASTOMERIC BEARING PAD DETAILS: CONCRETE BEAMS		
	BRIDGE STD. R2B	BRIDGE LIGHTING DETAILS		
	BRIDGE STD. S-1	B BORROW PLACEMENT		
	BRIDGE STD. SH-1	STEEL SHOE DETAILS		
	BRIDGE STD. SS-1	STRUCTURAL EXPANSION JOINTS CLASS SS, SHEET 1		
	BRIDGE STD. SS-1A	STRUCTURAL EXPANSION JOINTS CLASS SS, SHEET 1		
	BRIDGE STD. SS-1B	STRUCTURAL EXPANSION JOINTS CLASS SS, SHEET 2		
	BRIDGE STD. SS-2	STRUCTURAL EXPANSION JOINTS CLASS SS, SHEET 3		
	BRIDGE STD. TA	STANDARD TEMPORARY BRIDGE SHEET A		
	BRIDGE STD. TB	STANDARD TEMPORARY BRIDGE SHEET B		
	ROAD STD. CCPJ-1	LONGITUDINAL JOINT		
	ROAD STD. CCPJ-2	LONGITUDINAL CONSTRUCTION JOINT		
	ROAD STD. CCPJ-3	TYPE D-1 CONTRACTION JOINT		
	ROAD STD. CCPJ-4	TRANSVERSE CONSTRUCTION JOINT		
	ROAD STD. CCPJ-5	EXPANSION JOINT		
	ROAD STD. CCPJ-6	CONCRETE PAVEMENT PATCH DETAILS		
	ROAD STD. RCBA-1	REINFORCED CONCRETE BRIDGE APPROACH		
	ROAD STD. RCBA-2	REINFORCED CONCRETE BRIDGE APPROACH		
	ROAD STD. MB	PAVED SIDE DITCH		
	ROAD STD. MB-1	CURB TURNOUTS		
	ROAD STD. MB-2	BRIDGE SLOPEWALL		
	ROAD STD. MB-3	BRIDGE SLOPEWALL DRAINAGE		
	ROAD STD. MB-4	BRIDGE SLOPEWALL DRAINAGE		
	ROAD STD. G-1	W-BEAM GUARDRAIL COMPONENTS		
	ROAD STD. G-2	THREE-BEAM GUARDRAIL COMPONENTS		
	ROAD STD. G-3	W-BEAM GUARDRAIL ASSEMBLIES		
	ROAD STD. T-1	GUARDRAIL TRANSITION TYPE TGB		
	ROAD STD. T-1A	GUARDRAIL TRANSITION TYPE WGB		
	ROAD STD. T-2	GUARDRAIL TRANSITION TYPE GP		
	ROAD STD. T-3	GUARDRAIL TRANSITION TYPE VH		
	ROAD STD. T-4	PIER CONNECTION DETAILS		
	ROAD STD. E-1	GUARDRAIL END TREATMENT TYPE I		
	ROAD STD. E-2	GUARDRAIL END TREATMENT TYPE OS		
	ROAD STD. E-3	GUARDRAIL END TREATMENT TYPE MS		
	ROAD STD. E-4	CURVED W-BEAM GUARDRAIL SYSTEM		
	ROAD STD. E-4A	CURVED W-BEAM GUARDRAIL SYSTEM		
	ROAD STD. E-4B	CURVED W-BEAM GUARDRAIL SYSTEM		
	ROAD STD. H-1	TWO-WAY TWO-LANE ROADSIDE HAZARD PROTECTION GUARDRAIL		
	ROAD STD. H-2	MULTI-LANE DIVIDED ROADSIDE HAZARD PROTECTION GUARDRAIL		
	ROAD STD. B-1	BRIDGE APPROACH GUARDRAIL		
	ROAD STD. P-1	TWO-WAY TWO-LANE ROADSIDE PIER PROTECTION GUARDRAIL		
	ROAD STD. P-2	MULTI-LANE DIVIDED ROADSIDE PIER PROTECTION GUARDRAIL		
	ROAD STD. P-3	MULTI-LANE DIVIDED MEDIAN SIDE PIER PROTECTION GUARDRAIL		
	ROAD STD. P-4	MULTI-LANE DIVIDED MEDIAN PIER PROTECTION GUARDRAIL		
	ROAD STD. CB-1	CONC. MED. BARRIER; INLET TYPE H; CONC. GLARE SCREEN; G.R.E.A.T. UNIT		
	ROAD STD. CB-2	TEMP. CONC. BARRIER; ENERGY ABSORBING TERMINAL TYPE B		
	ROAD STD. CB-2A	TEMP. CONC. BARRIER		
6	ROAD STD. DET-1	LANE CLOSURES ON 4 LANE ROADS; DETOURS FOR ROAD CLOSURES	PENDING	A SEP. 1988
	ROAD STD. DET-1A	TEMPORARY CROSSEOVERS TYPE A & B		
	ROAD STD. DET-1B	LANE CLOSURES FOR SIX LANE ROADS		
	ROAD STD. DET-1C	CLOSURE OF NEW LANES		
	ROAD STD. DET-1D	TEMPORARY RUNAROUND		
6A	ROAD STD. DET-2A	MARKING DETOURS; LANE CLOSURES ON TWO LANE ROADS	1-31-96	A OCT 1995
7	ROAD STD. DET-2A	BARRICADE, DRUM, CONE, TUBULAR MARKER & TYP. SIGN STANDARD DETAILS	1-31-96	R 10-2-95
8	ROAD STD. DET-3	SIGN DESIGN DETAILS	PENDING	R 9-1-88
9	ROAD STD. DET-3A	SIGN DESIGN DETAIL TABLES	2-5-96	R 1-2-96
10	ROAD STD. DET-4	SIGN DESIGN DETAILS	1-11-89	R 9-1-88
11	ROAD STD. DET-5	SIGN DESIGN DETAIL TABLES	PENDING	R 9-1-88
	ROAD STD. DET-5A	SIGN DESIGN DETAIL TABLES		
12	TRAFFIC STD. SHEET MT-3	SIGN REFLECTORIZATION SCHEDULE	8-5-88	R 8-1-88
	TRAFFIC STD. SHEET MT18	MISCELLANEOUS DETAILS		
	TRAFFIC STD. SHEET MT19	MISCELLANEOUS DETAILS		
	TRAFFIC STD. SHEET	MISCELLANEOUS DETAILS		

B-22131

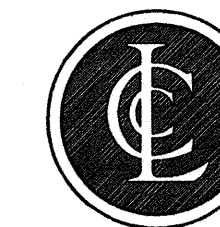
TRAFFIC DATA			
A.D.T. (1993)		2800	V.P.D.
A.D.T. (PROJECTED)			V.P.D.
D.H.V. (PROJECTED)			V.P.H.
TRUCKS		D.H.V.	A.D.T.
DESIGN DATA			
DESIGN SPEED		55 (POSTED)	M.P.H.
PROJECT DESIGN CRITERIA		RECONSTRUCTION (NON-FREEWAY)	
FUNCTIONAL CLASSIFICATION		MINOR ARTERIAL	
RURAL/URBAN		RURAL	
TERRAIN		LEVEL	
ACCESS CONTROL		NONE	



JAY COUNTY



LOCATION MAP

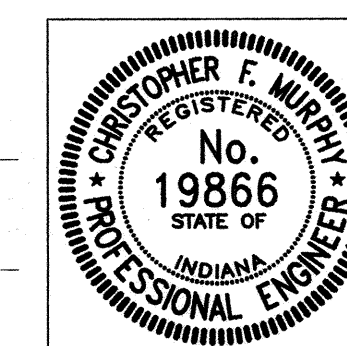


CHARLIER CLARK & LINARD, P.C.
CONSULTING ENGINEERS

9247 N. MERIDIAN, SUITE 225
INDIANAPOLIS, INDIANA 46260
TEL. (317) 581-9500
FAX (317) 581-9590

APPROVED FOR LETTING:

Philip W. Kliska
CHIEF, DIVISION OF DESIGN



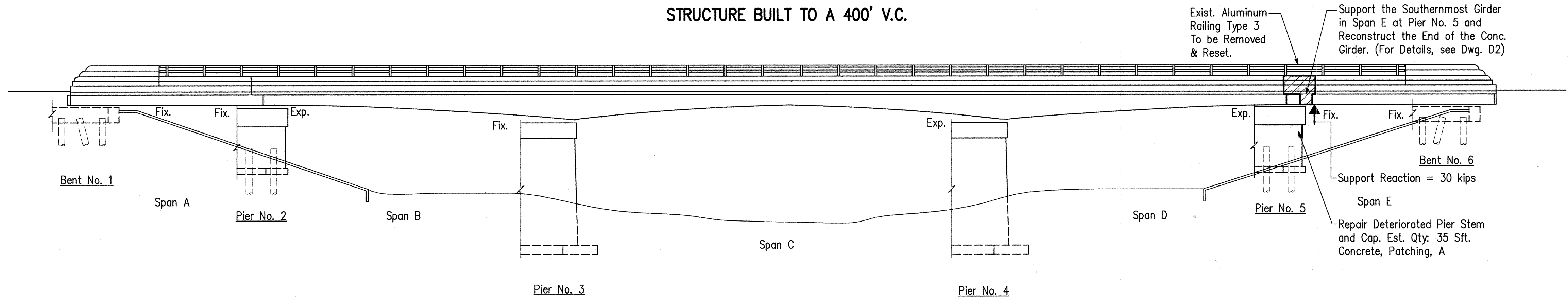
Date: April 3, 1996

Certified By: *clm*

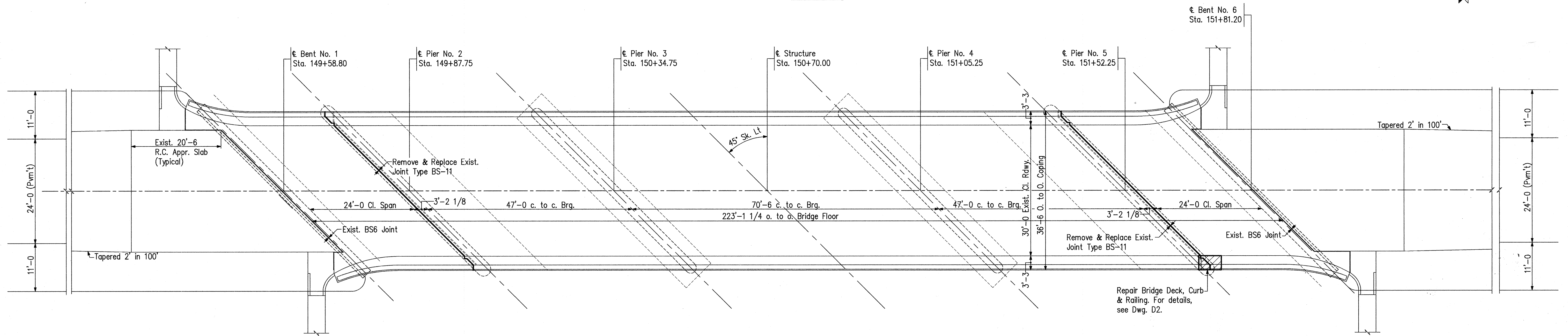
FEDERAL HIGHWAY ADMINISTRATION DEPARTMENT OF TRANSPORTATION	
APPROVED:—	DATE
DIVISION ADMINISTRATOR	

BRIDGE FILE: 67-38-4833B

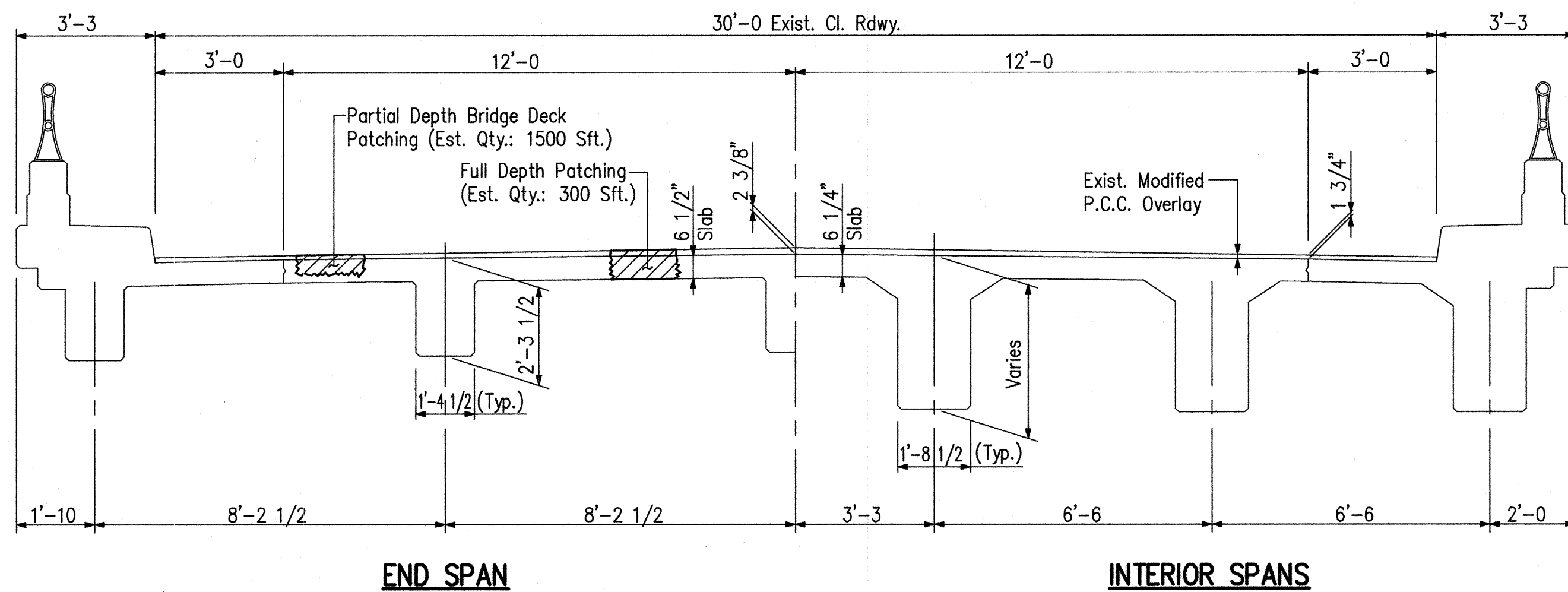
STRUCTURE BUILT TO A 400' V.C.



ELEVATION



PLAN



HALF SECTIONS
 Scale: 3/8"=1'-0

Indicates Concrete Removal

GENERAL PLAN
REPAIRS TO
CONTINUOUS REINFORCED CONCRETE GIRDER BRIDGE
 5 SPANS: 24'-0, 47'-0, 70'-6, 47'-0 & 24'-0; SKEW 45° LT. 33'-6 CL. RDWY.
 ON S.R. 67 OVER LIMBERLOST CREEK
INDIANA DEPARTMENT OF TRANSPORTATION
JAY COUNTY

SCALE : 3/32"=1'-0, U.N.O.

DATE: April 3, 1996

Christopher F. Murphy

DRAWING: D1 OF 2 SHEET: 2 OF 3

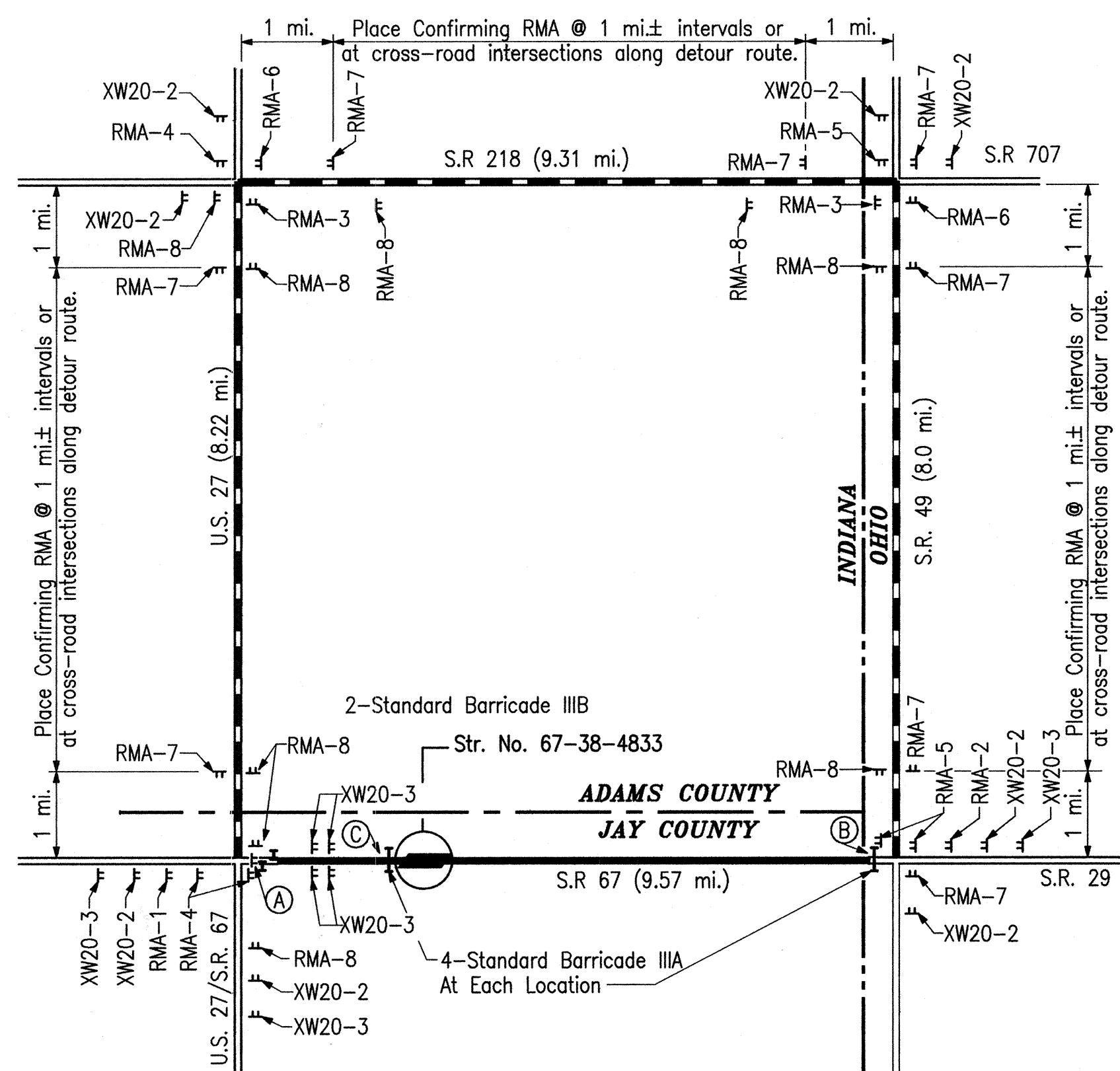
PROJECT: STP-132-5()

BRIDGE CONTRACT NO.: B-22131

BRIDGE FILE: 67-38-4833B

DESIGNED	TWL	CKD	DDC
DRAWN	AMJ	CKD	TWL
TRACED	CKD		

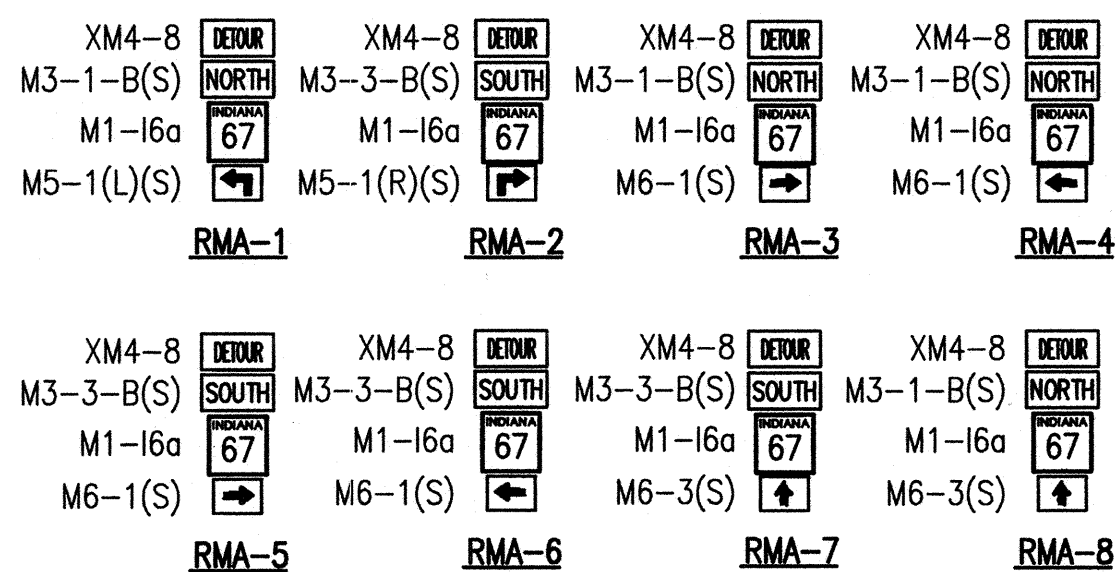




DETOUR ROUTE
No Scale

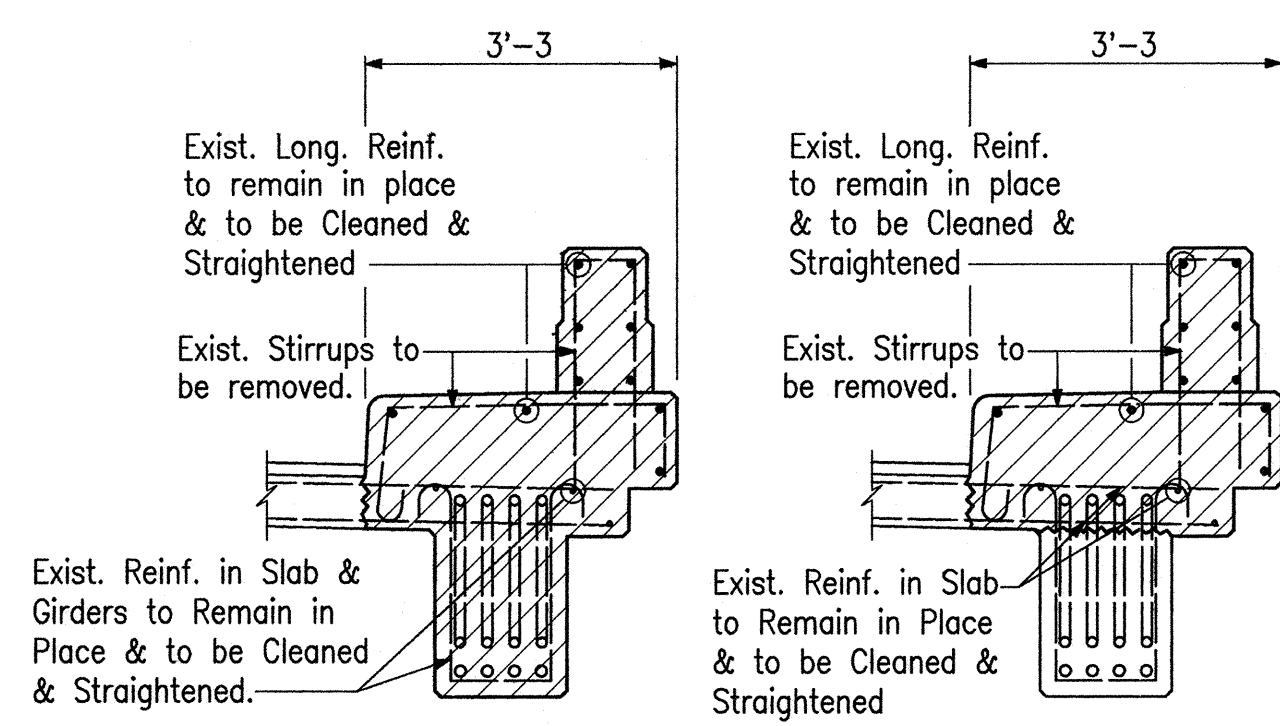
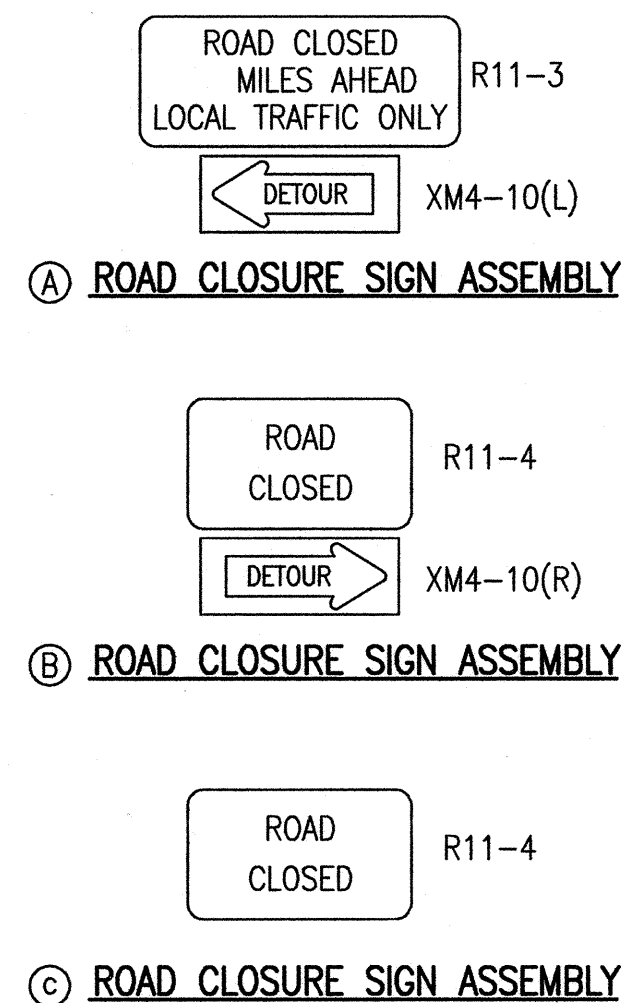
NOTE:

- For additional details, see Road Standard Sheet 1 Detours.
- (2) XG20-5 Constr. Signs Req'd. To be placed as directed by the Engineer.
- Indicates Detour Route
- Indicates Road to be Closed



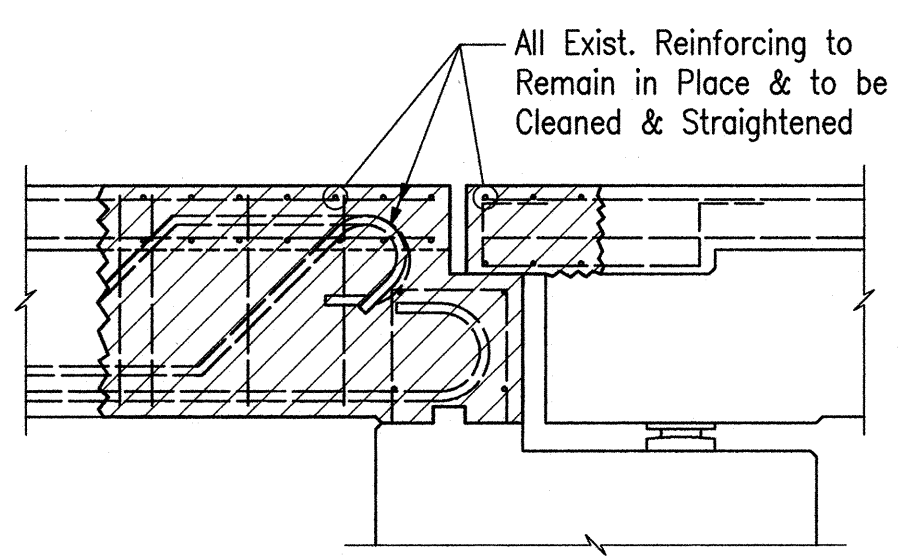
ESTIMATED QUANTITIES

Maintaining Traffic	1 LSum
Standard Barricade, IIIA	8 Each
Standard Barricade, IIIB	2 Each
Detour Route Marker Assembly	60 Each
Construction Sign Type "A"	15 Each
Road Closure Sign Assemblies	3 Each

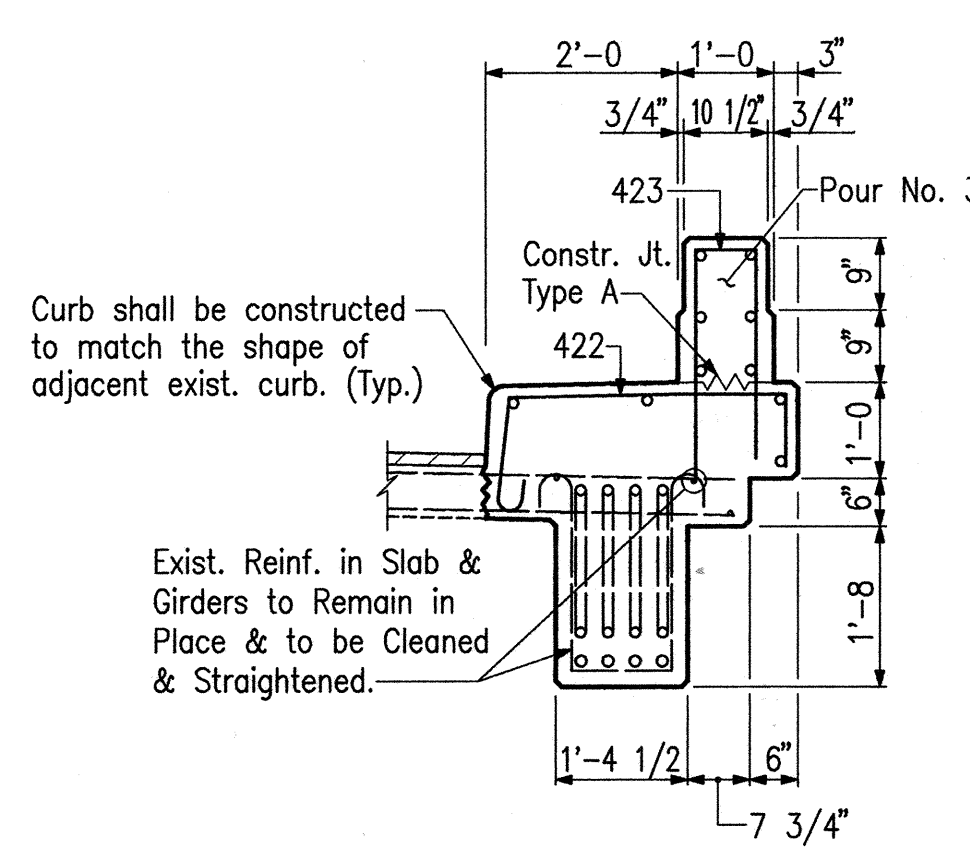


SECTION A-A
(Showing Limits of Removal)
Scale: 1/2" = 1'-0"

SECTION B-B
(Showing Limits of Removal)
Scale: 1/2" = 1'-0"

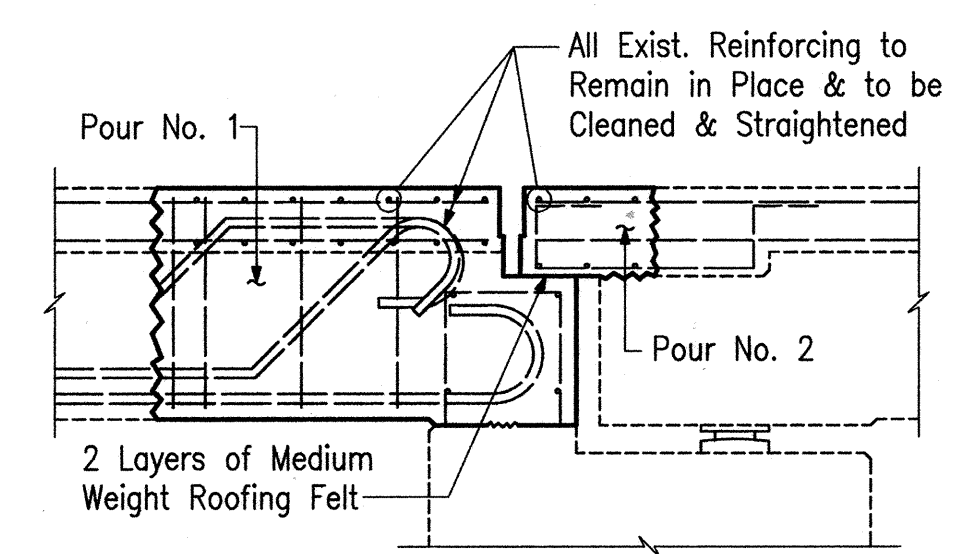


SECTION C-C
(Showing Limits of Removal)
Scale: 1/2" = 1'-0"

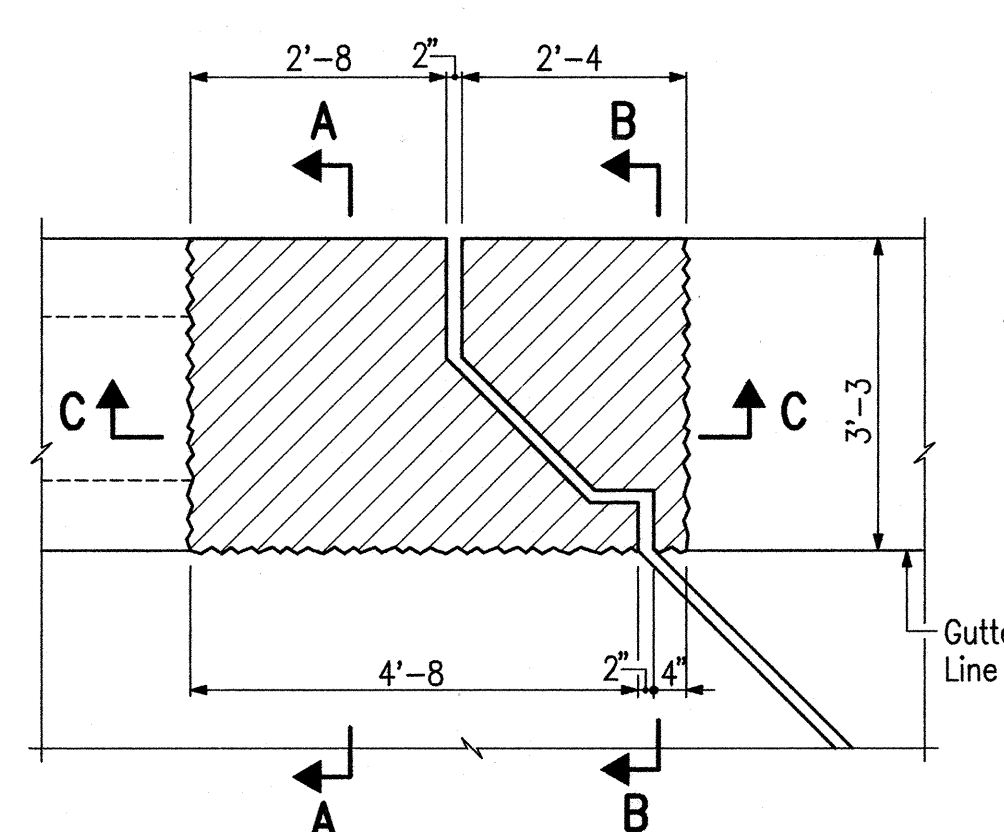


SECTION A-A
(Showing New Construction)
Scale: 1/2" = 1'-0"

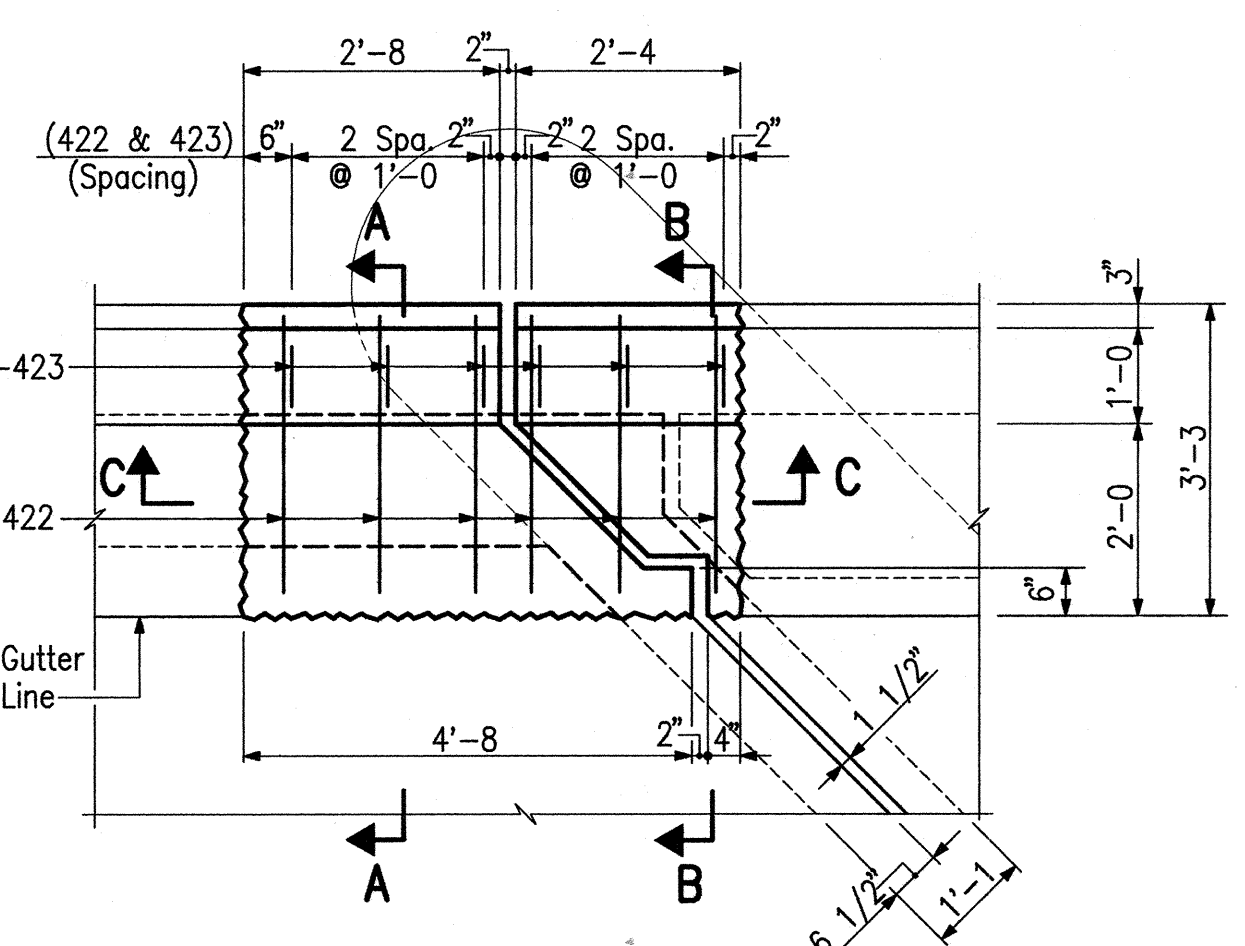
SECTION B-B
(Showing New Construction)
Scale: 1/2" = 1'-0"



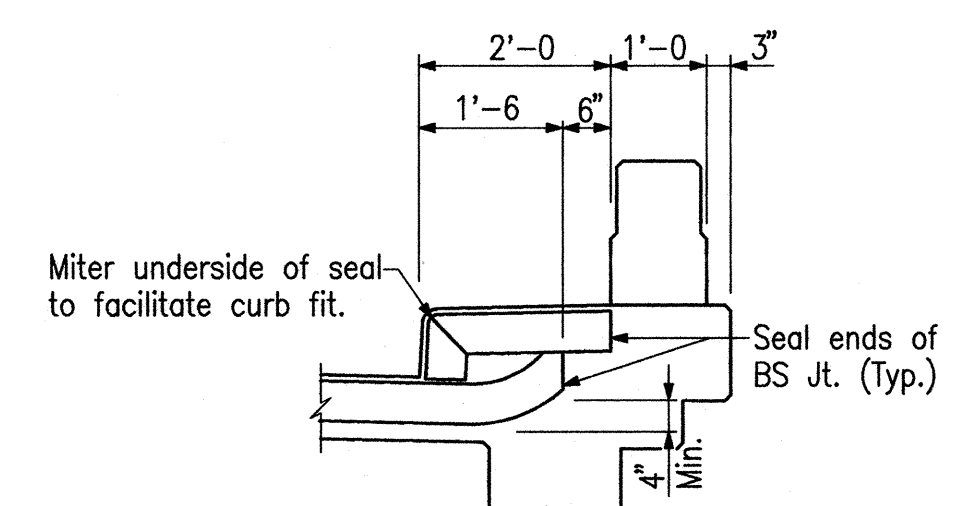
SECTION C-C
(Showing New Construction)
Scale: 1/2" = 1'-0"



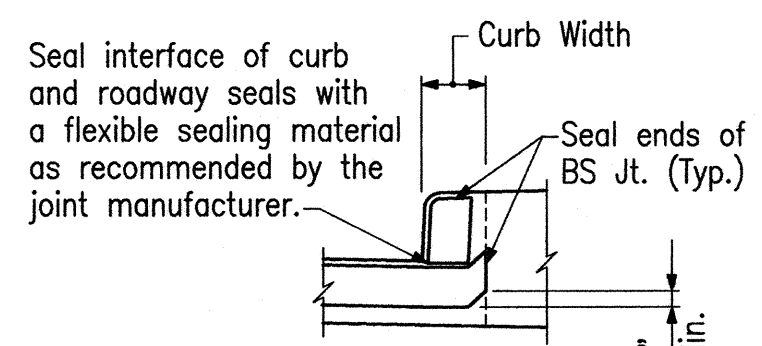
PLAN - GIRDER REPAIR PIER 5
(Showing Limits of Removal)
Scale: 1/2" = 1'-0"



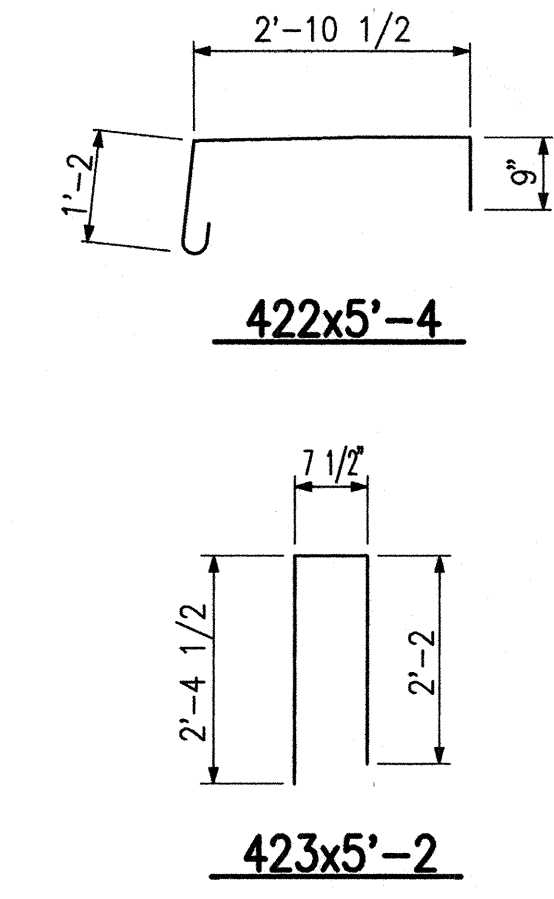
PLAN - GIRDER REPAIR PIER 5
(Showing New Construction)
Scale: 1/2" = 1'-0"
(Existing Longitudinal Reinf. in curb and parapet to remain in place. Not shown for clarity)



CURB SECTION AT PIERS NO. 2 & NO. 5
Scale: 1/2" = 1'-0"



CURB SECTION AT DRAINAGE TURNOUT BENTS NO. 1 & NO. 6
Scale: 1/2" = 1'-0"



BILL OF MATERIALS

GIRDER REPAIR			
REINFORCING STEEL			
SIZE OR MARK	NO. OF BARS	LENGTH	WEIGHT (LBS)
PLAIN REINFORCING			
422	6	5'-4	
423	6	5'-2	
Total #4 Bars			42
Total Plain Reinforcing Steel			42
CONCRETE			
Concrete, C In Superstructure			
Pour No. 1		0.9 Cys.	
Pour No. 2		0.3 Cys.	
Pour No. 3		0.2 Cys.	
Pour No. 4		0.1 Cys.	
Total Concrete, A In Superstructure			1.5 Cys.
MISCELLANEOUS			
Surface Seal			40 Sft.

NOTES

- For reinforcing bar notes and bar bending details, see Bridge Standard C1.
- For Construction Joint Type "A", see Br. Std. C3.
- Indicates Limits of Concrete Removal. To be Paid for as "Present Structure, Remove Portions".

MISCELLANEOUS DETAILS

INDIANA DEPARTMENT OF TRANSPORTATION
JAY COUNTY

SCALE : AS NOTED
DATE: April 1996

DRAWING: D2 OF 2 SHEET: 3 OF 3
PROJECT: STP-132-5()
BRIDGE CONTRACT NO.: B-22131
BRIDGE FILE: 67-38-4833B

